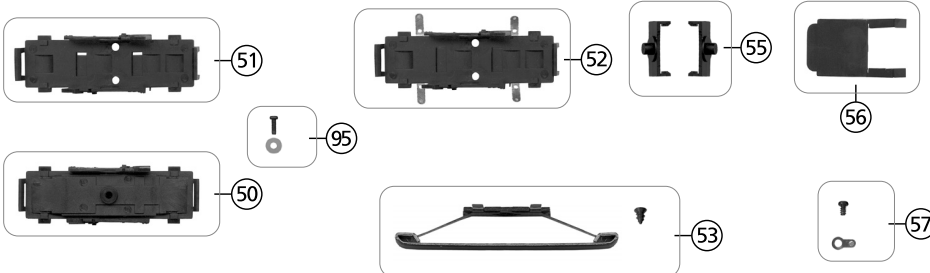
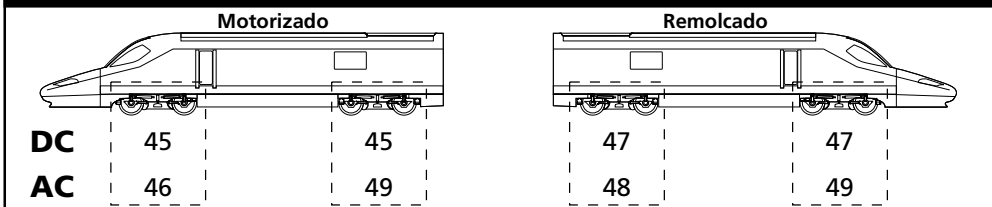


### RECAMBIOS / LIST OF SPARES

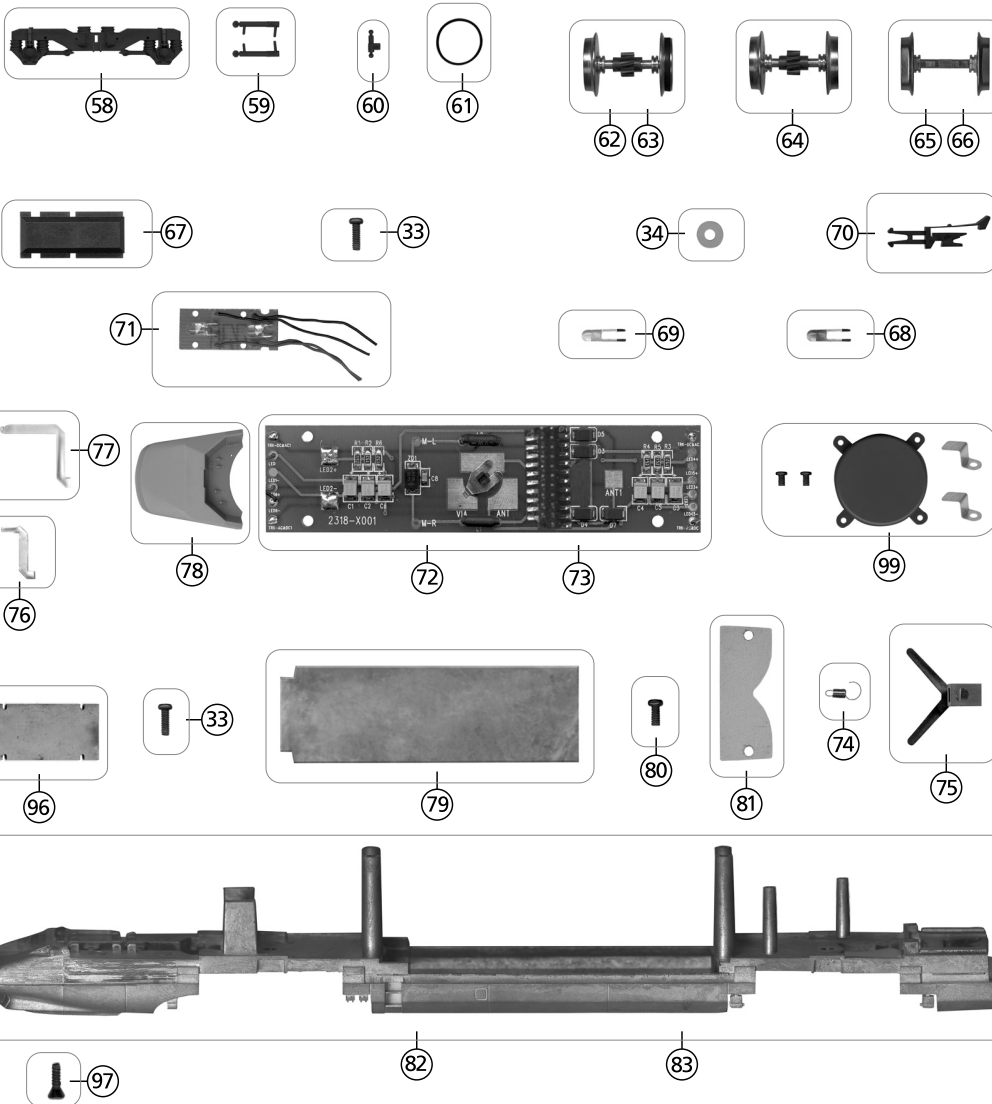
Nº No	Descripción Description	Referencia Item
1	Tapa faro derecho Right light cover	ER35001
2	Tapa faro izquierdo Left light cover	ER35002
3	Cristal derecho cabina Right cabin window	ER35003
4	Cristal izquierdo cabina Left cabin window	ER35004
5	Cristal frontal cabina Windscreen	ER35005
6	Limpiaparabrisas Windscreen wiper	ER35006
7	Rejilla techo pequeña Small roof grill	ER35007
8	Rejilla techo grande Big roof grill	ER35008
9	Pantógrafo Pantograph	ER35009D
10	Cable techo largo Long roof wire	ER35010
11	Cable techo corto Short roof wire	ER35011
12	Aislante 2 Insulator 2	ER35012
13	Aislante 3 Insulator 3	ER35013
14	Aislante 4 Insulator 4	ER35014
15	Aislante pantógrafo Pantograph insulator	ER35015
16	Aislante 5 Insulator 5	ER35016
17	Manivela de enganche Coupler lever	ER35017
18	Carcasa locomotora Body shell locomotive	ER35018D
20	Tapa luz techo Head light cover	ER35020
21	Tornillo tapa luz Light-cover screw	ER35021
22	Difusor superior Upper light bar	ER35022
23	Soporte luz techo Head light support	ER35023
24	Luz superior For head light	ER35024
25	Muelle contacto techo Pick-up spring	ER35025
26	Sujeción pantógrafo Pantograph screw	ER35026
27	Terminal decorativo derecho Right decorative spoiler	ER35027D
28	Terminal decorativo izquierdo Left decorative spoiler	ER35028D
29	Tapa enchufe Plug cover	ER35029
30	Fuelle intercomunicación Bellows	ER35030
31	Depositos Tanks	ER35031
32	Motor Motor	ER35032D
33	Tornillo motor, lastre y circuito Motor, ballast and circuit screw	ER35033
34	Arandela para motor y circuito impreso Motor and printed circuit washer	ER35034
35	Cardan Cardan joint	ER35035
36	Sinfin Worm gear	ER35036
37	Cojinete sinfin Worm gear bearing	ER35037
38	Caja con engranajes Gear box	ER35038
39	Caja sin engranajes Box without gear	ER35039
40	Engranaje Gear	ER35040
41	Engranaje Gear	ER35041
42	Engranaje Gear	ER35042
43	Eje engranaje Gear axle	ER35043
44	Tornillo bogie Bogie screw	ER35044
45	Bogie completo DC Bogie set DC	ER35045C
46	Bogie completo AC Bogie set AC	ER35046C
47	Bogie completo DC sin engranajes Bogie set without gear DC	ER35047C
48	Bogie completo AC sin engranajes Bogie set without gear AC	ER35048C
49	Bogie completo AC patin Bogie set AC for pick up shoe	ER35049C
50	Tapa inferior bogie AC para patin Bogie lid AC for pick up shoe	ER35050

Ver esquema para solicitar los bogies de repuesto

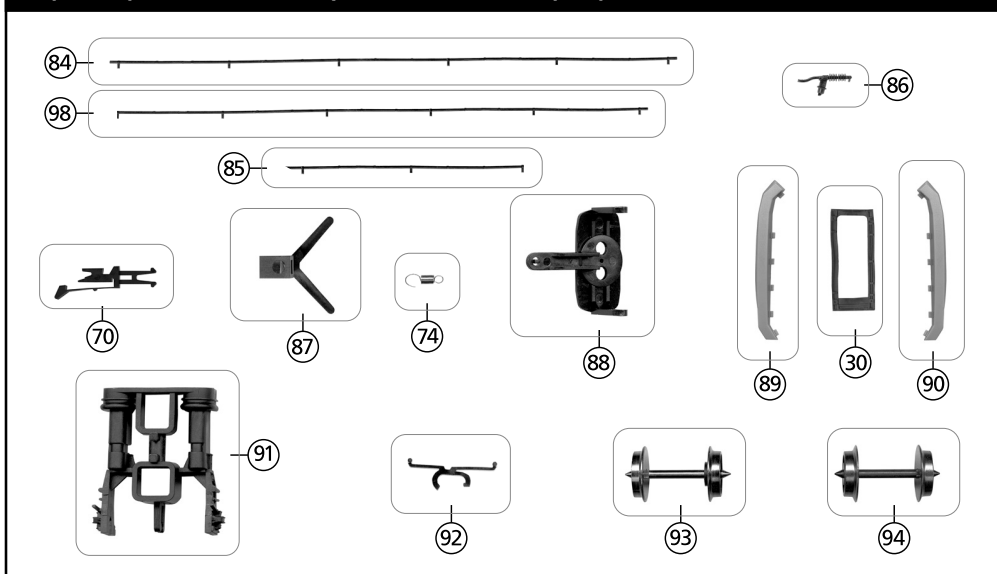


### RECAMBIOS / LIST OF SPARES

Nº	Descripción	Referencia
51	Tapa inferior bogie AC Bogie lid AC	ER35051
52	Tapa inferior bogie DC con patín Bogie lid DC with pick-ups	ER35052
53	Patín AC AC pick up shoe	ER6850A
55	Bulón (set 2 piezas) Plastic pin (set 2 pieces)	ER35055
56	Tapa sinfin Gear cover	ER35056
57	Terminal toma de corriente AC Terminal connector, AC	ER35057
58	Cobertura bogie Bogie cover	ER35058
59	Set 2 amortiguadores largos 2 long shock absorbers	ER35059
60	Amortiguador corto Short shock absorber	ER35060
61	Aro de adherencia Traction tyre	ER35061
62	Eje con engranaje y aro DC Wheelset with tyre DC	ER35062C
63	Eje con engranaje y aro AC Wheelset with tyre AC	ER35063C
64	Eje con engranaje sin aro DC Wheelset without tyre DC	ER35064C
65	Eje sin engranaje DC Wheelset without gear DC	ER35065C
66	Eje sin engranaje AC Wheelset without gear AC	ER35066C
67	Tapa luz inferior Lower light cover	ER35067
68	LED rojo Red LED	ER6817
69	LED blanco White LED	ER6806
70	Enganche Coupling	ER070
71	Circuito con luz PCB with light	ER35071
72	Circuito impreso cabeza motorizada (21-pin) PCB for motorized head (21-pin decoder plug)	ER35072D
73	Circuito impreso cabeza remolcada (21-pin) PCB for non-motorized head (21-pin decoder plug)	ER35073D
74	Muelle de enganche Coupler spring	ER35074
75	Brazo de enganche Coupler holder	ER35075
76	Difusor luz corto Short light bar	ER35076
77	Difusor luz largo Long light bar	ER35077
78	Cabina Cabin interior	ER35078
79	Lastre cabeza motorizada Motor head ballast	ER35079
80	Tornillo para enganche Coupler screw	ER35080
81	Tapa enganche Coupler lid	ER35081
82	Chasis cabeza motorizada Motor head chassis	ER35082D
83	Chasis cabeza remolcada Chassis for non-driven head	ER35083D
84	Cable techo coche cafetería Roof wire (cafeteria coach)	ER35084
85	Cable techo coche extremo Roof wire (end coach)	ER35085
86	Aislante techo Roof insulator	ER35086
87	Brazo de enganche Coupler holder	ER35087
88	Bisel Close-coupler mechanism	ER35088
89	Terminal decorativo izquierdo Left decorative spoiler	ER35089D
90	Terminal decorativo derecho Right decorative spoiler	ER35090D
91	Rodaje Bogie	ER35091
92	Resorte rodaje Bogie spring	ER35092
93	Eje DC Wheelset DC	E0363
94	Eje AC Wheelset AC	E0359
95	Set Tornillo para tapa bogie Screw set for bogie lid	ER35095
96	Lastre cabeza remolcada Towed head ballast	ER35096
97	Tornillo Screw	ER35097
98	Cable techo coche intermedio Roof wire (intermediate coach)	ER35098
99	Set sujeción altavoz Speaker holding set	ER35099D



### Repuestos para coches extremos y coches intermedios / Spare parts for intermediate coach and end coach



### Decoder de sonido / Decoder Locksound

ER301S350\_21 Decoder Locksound V.4 Tren Talgo 350 (21 pin)