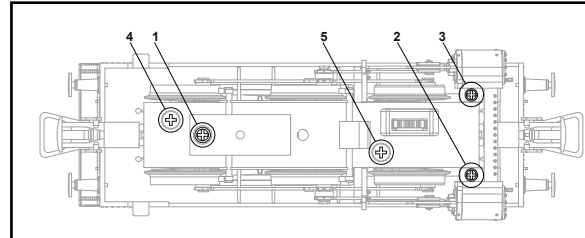
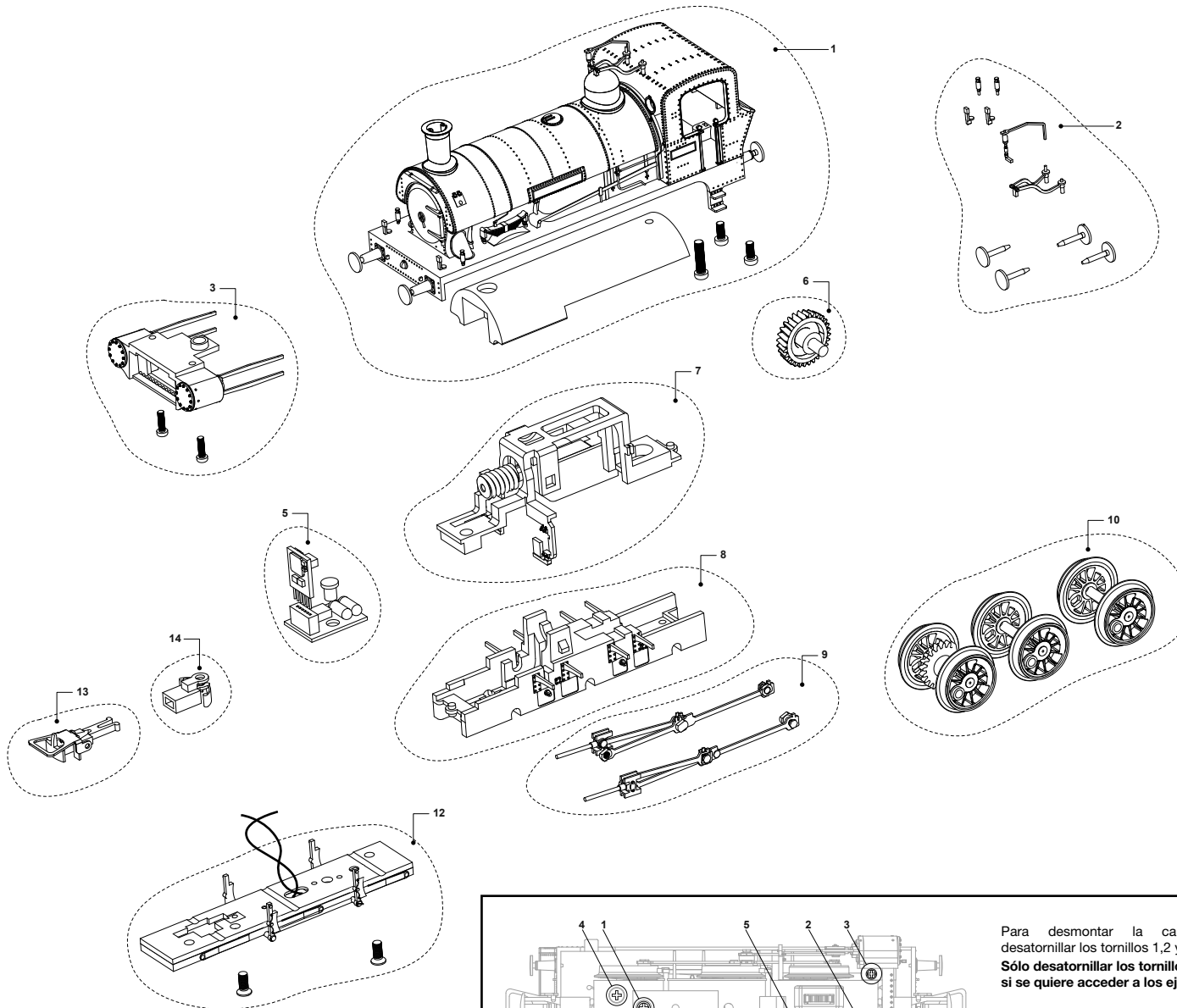


LISTA DE RECAMBIOS / LIST OF SPARES

| Nº Artículo Item No | Descripción Description | Ref. repuesto Spare part ref. |
|------------------------|---|----------------------------------|
| 1 | Carrocería Bodyshell | ER0042/01 |
| 2 | Set accesorios carrocería Bodyshell accessories set | ER0039/02 |
| 3 | Pistones Pistons | ER0035/03 |
| 5 | Circuito impreso Printed circuit board | ER0035/05 |
| 6 | Engranaje con eje Gear with axle | ER10100/06 |
| 7 | Set motor Motor set | ER0040/07 |
| 8 | Bloque bastidor Chassis | ER0035/08 |
| 9 | Set de bielas Rods set | ER10100/09 |
| 10 | Set de ruedas Wheel sets | ER0038/10 |
| 12 | Base bastidor con tomas de corriente Chassis bottom include current pick-ups | ER0035/12 |
| 13 | Enganche Coupling | ER058 |
| 14 | Caja enganche (x2) Coupler box (x2) | ER10100/14 |



Para desmontar la carrocería, desatornillar los tornillos 1, 2 y 3. **Sólo desatornillar los tornillos 4 y 5, si se quiere acceder a los ejes.**

*To open this locomotive please remove the screws 1, 2 and 3. **Do not remove the screws 4 and 5 unless you want to remove the wheel sets.***